

Telephone

+1 925 837 2243

Facsimile

+1 925 837 2298

Peninsula Engineering  
Solutions, inc. may  
change specifications  
as necessary to meet  
industry requirements.

## RF-11000E Repeater

### Microwave RF Repeater Systems

### Applications

- Low-cost, highly reliable 11-GHz microwave through repeater for extending range of or clearing obstructed microwave radio paths.
- Excellent performance with digital, or video microwave radios; channel capacity to 6720 PCM (10 DS3 or 450 Mb/s), 3x OC-3, STM-1 (3x 155.52 Mb/s), Internet Protocol (650 Mb/s), multiple video or mixed traffic.
- Compatible with any manufacturer's 11-GHz FDD radio terminal.
- Solar and wind power compatible -- economical in light to heavy routes and remote locations.

### Features

- Power Amplifier RF output power up to +32 dBm, 1.5 Watts.
- Power consumption only 65 Watts, solar rated, at +24 VDC for 2-amplifier, duplex operation.
- Solar powered, hybrid solar and TEG or Fuel Cell powered, ac powered, or other alternative energy electrical power sources.
- Compact and lightweight -- ideally suited for remote sites that do not have access roads or commercial power.
- Environmentally protected aluminum, weathertight, lockable cabinet. No extra environmental shelter required in most installations. Suitable for use at unimproved sites anywhere in the world -- Alaska to Saudi Arabia.
- Internally protected duplex (FDD), frequency diversity, space diversity and three-way or "Y junction" system configurations are available.
- Only one active element per channel, the internally redundant linear amplifier.
- AGC/ALC provided to correct input fades, regulate output power, and reduce overload.
- Configurations available for 10 ~ 40 MHz and 60 ~ 80 MHz channel bandwidths.
- Adaptable to new radio modulations and capacities as technology advances.
- Supports radios with adaptive coding and modulation techniques.
- RMAS-120 Alarm system (optional) can remotely monitor repeater.
- Equipped with directional couplers for in-service RF output power measurements.
- No frequency conversion -- received signal is filtered, amplified, and re-radiated.
- Very reliable, greater than 175,000 hours MTBF for 1+0 duplex.
- Available as a self-contained RF repeater for use with customer-furnished antenna and power equipment or as a complete package including repeater, antenna, photovoltaic modules, battery charger, and batteries.
- US-FCC ID: QFTA1102

no power lines | no shelters | no roads  
just great microwave reliability



Figure 1 RF-11000E Solar Powered Repeater

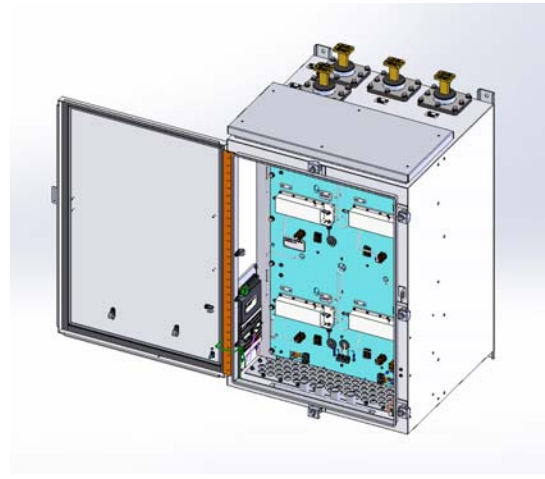


Figure 2 RF-11000E with Weathertight Enclosure



Figure 3 RF-11000E Y-Junction Repeater, 3-Hops

A 2+0 RF-11000E 4-Port repeater is used to provide links to two end terminals located in a mountainous region. The repeater site's high elevation provides a vantage point where clear, line-of-sight paths to each microwave terminal exist. A photovoltaic and wind turbine power system operates the repeater at this remote location. Site access is by four wheel drive vehicle.

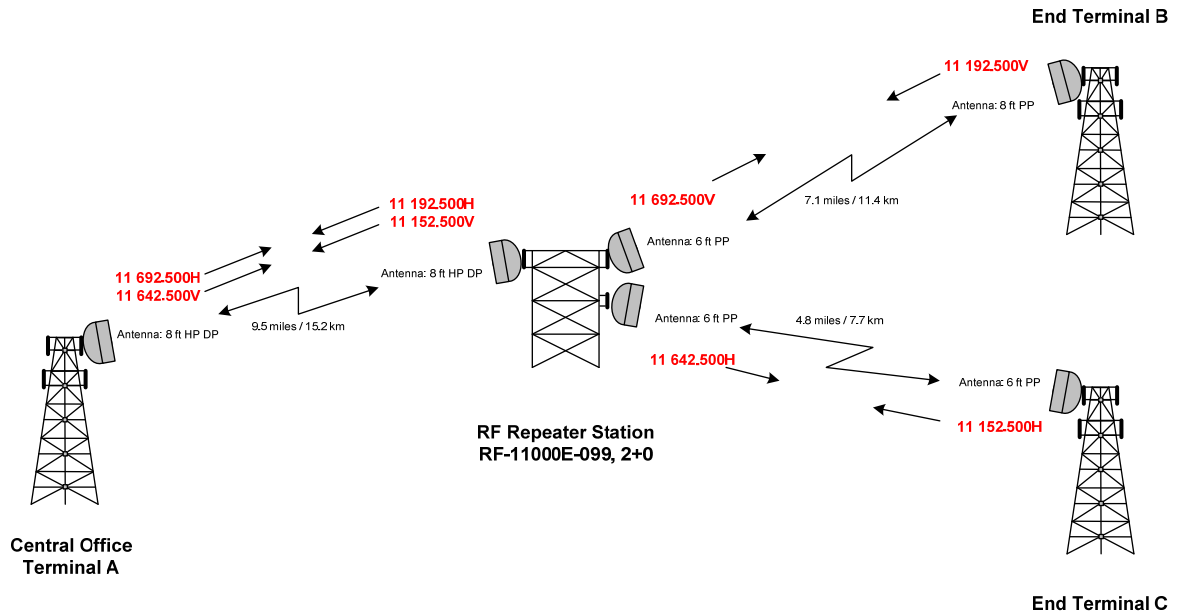
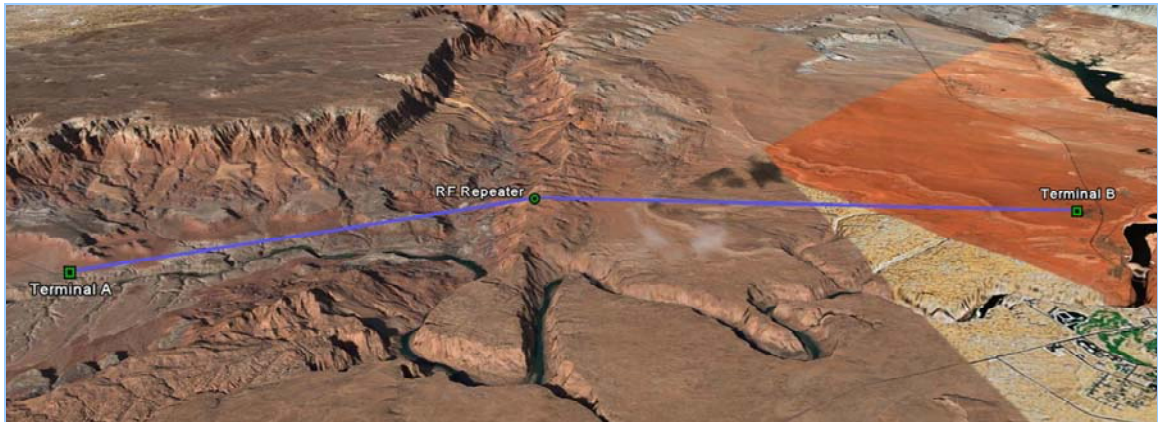


Figure 4 Y-Junction Repeater Network



**Figure 5 RF-11000E Clearing an Obstructed Path, 2-Hops**

The path between Terminal A and Terminal B is obstructed by a ridge at the edge of a canyon. An RF-11000E repeater is located on the ridge where line-of-sight paths to both terminals exist. The repeater site is isolated, requiring four wheel drive vehicles for access. Photovoltaic system provides operating power for the repeater. The repeater site in this example is shown in the figure below.



**Figure 6 RF-11000E Repeater Installation with Solar Power**

## RF-11000E Microwave RF Repeater

### General

Frequency Range	10.7 ~ 11.7 GHz
Linear Amplifier Gain <sup>1</sup>	63 dB typ., 61 dB min.
AGC/ALC	15 dB down fade 5 dB up fade min.
Noise Figure <sup>1</sup>	3.5 dB at max gain
Antenna Ports	WR90 waveguide
W/G Flange	CPR90G Gasket
Return Loss	≥ 26 dB

### Nominal Transmit Power<sup>1,2</sup>

FM/FSK/MSK	32.0 dBm
4QAM/QPSK/OQPSK	30.0
16QAM	26.0
32QAM	24.0
64QAM/64TCM	22.0
128QAM/128TCM	20.0
256QAM	19.0
512QAM	18.0
32TCM	23.0
256TCM	18.0

### Frequency Plan

Channel Bandwidth	40 MHz, Std. 20 MHz, Dbl.
T-R Spacing, Std	130 MHz, min.
T-T Spacing, Std*	80 MHz, min

\* on common feeders

<sup>1</sup>: Not including branching losses, see RF-11000E Operations Manual.

<sup>2</sup>: See Operations Manual for more details. Modulations listed are a sample only, contact PESi for more.

### Channel Response: 40 MHz, Equalized

Amplitude	± 0.5 dB, $f_0 \pm 20$ MHz
Group Delay	5 nsec P-P, $f_0 \pm 20$ MHz

### Channel Response: 40 MHz, Un-Equalized

Amplitude	± 1.0 dB, $f_0 \pm 20$ MHz
Group Delay	10 nsec P-P, $f_0 \pm 20$ MHz

### Channel Response: 80 MHz, Equalized

Amplitude	± 0.5 dB, $f_0 \pm 40$ MHz
Group Delay	5 nsec P-P, $f_0 \pm 40$ MHz

### Power Requirements: Duplex, 2 Amplifiers

Nominal Voltage	+24 VDC
Voltage Range	+19 ~ +30 VDC
Power Consumption	65 W, Solar Rated
Polarity	Negative Ground

### Dimensions: 1+0, 1+1 and 2+0 Configurations

Height	37.31 in, 948 mm
Width	23.25 in, 591 mm
Depth	22.82 in, 580 mm
Weight	112 lb, 51 kg – 1+0 124 lb, 56.5 kg – 1+1, 2+0 130 lb, 59 kg – 2+0 4-Port

### Reliability

MTBF	175,000 hours
MTTR	30 minutes, on-site

### Environmental

Ambient Temperature	-40° C ~ +60° C
Relative Humidity	90% - Housing Internal 100% - Housing External

Altitude	15,000 feet, 4600 meters
Enclosure Housing	Weathertight Aluminum

### Telephone

+1 925 837 2243

### Facsimile

+1 925 837 2298

Peninsula Engineering Solutions, inc. may change specifications as necessary to meet industry requirements.

